

CONTENT LIST

1.0 Housing

2.0 Pump set

2.1 Housing

2.2 Thrust guidance

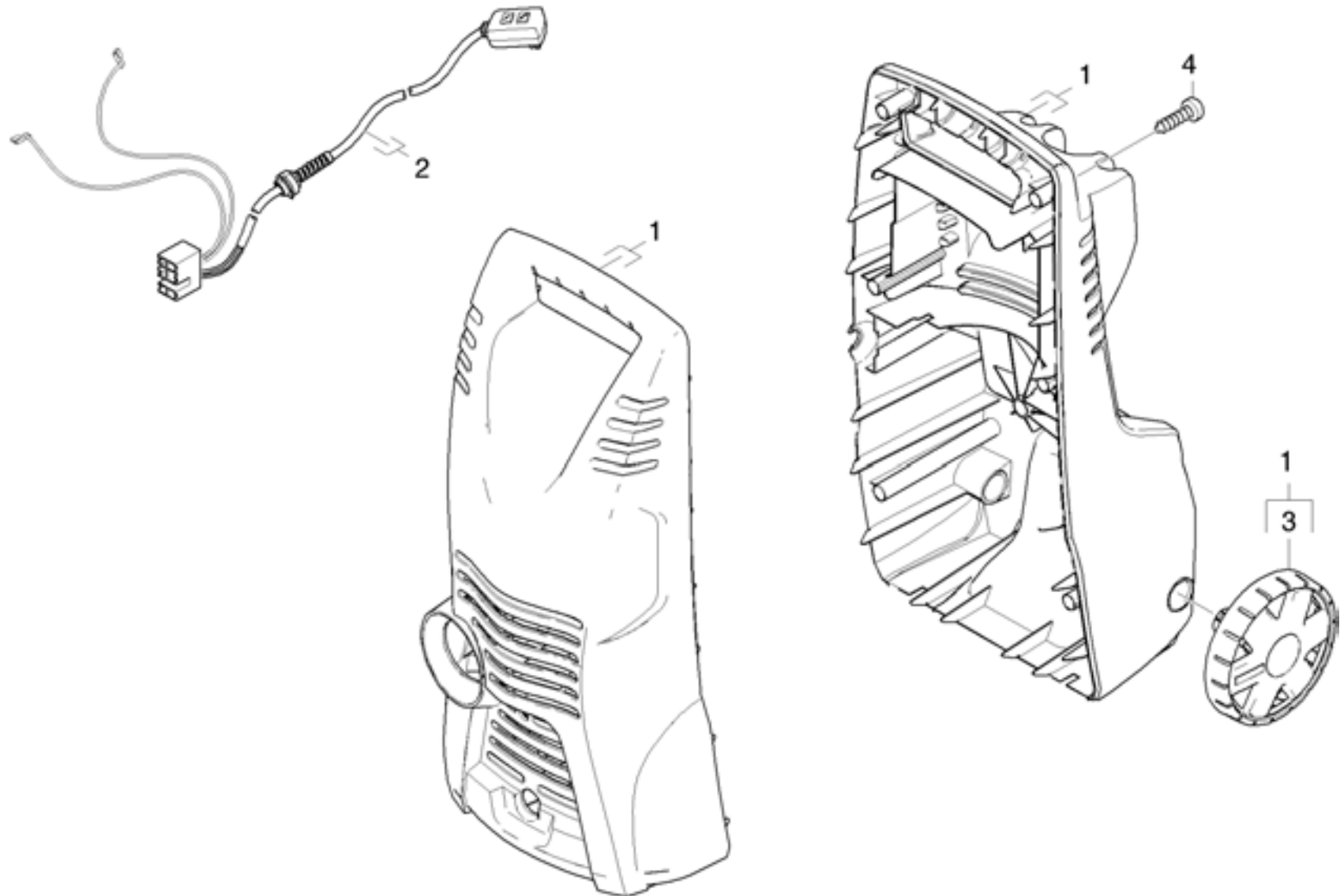
3.0 Motor

4.0 Accessories

4.1 Hand trigger gun

4.2 Jet pipe

1.0 Housing



1.0 Housing

POS	DESCRIPTION ADDITIONAL INFORMATIONS	PART NO	QTY.	FROM SER.NR.	UP TO SER. NR.
1	Housing pair with wheels	97760770	1		
2	Cable complete with multi-connector	97500720	1		
3	Wheel Winner 150	97602820	1		
4	Screw Hi-Lo d.4x22 Torx-d.7,5	90861730	6		

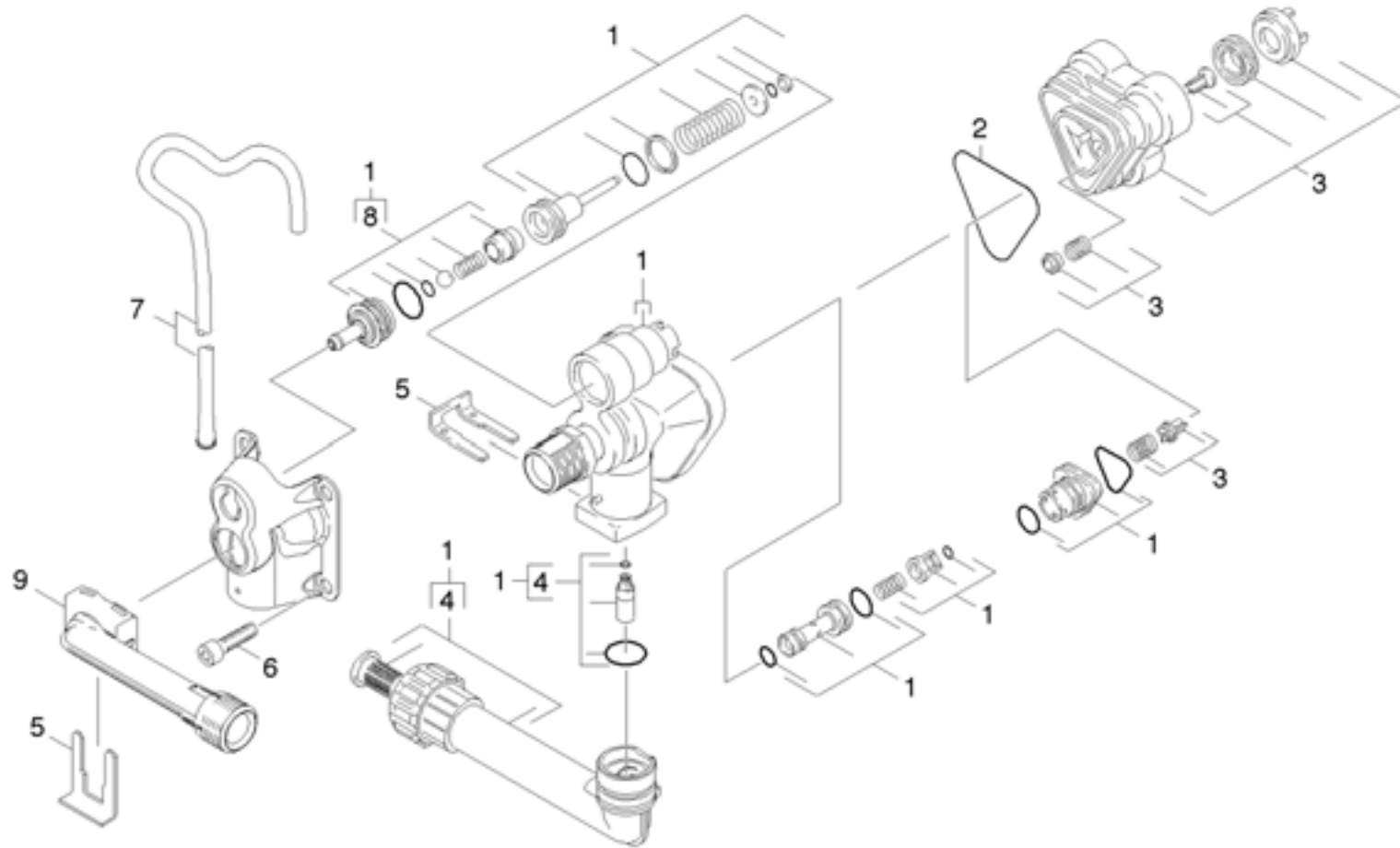
2.0 Pump set

2.1 Housing

2.2 Thrust guidance



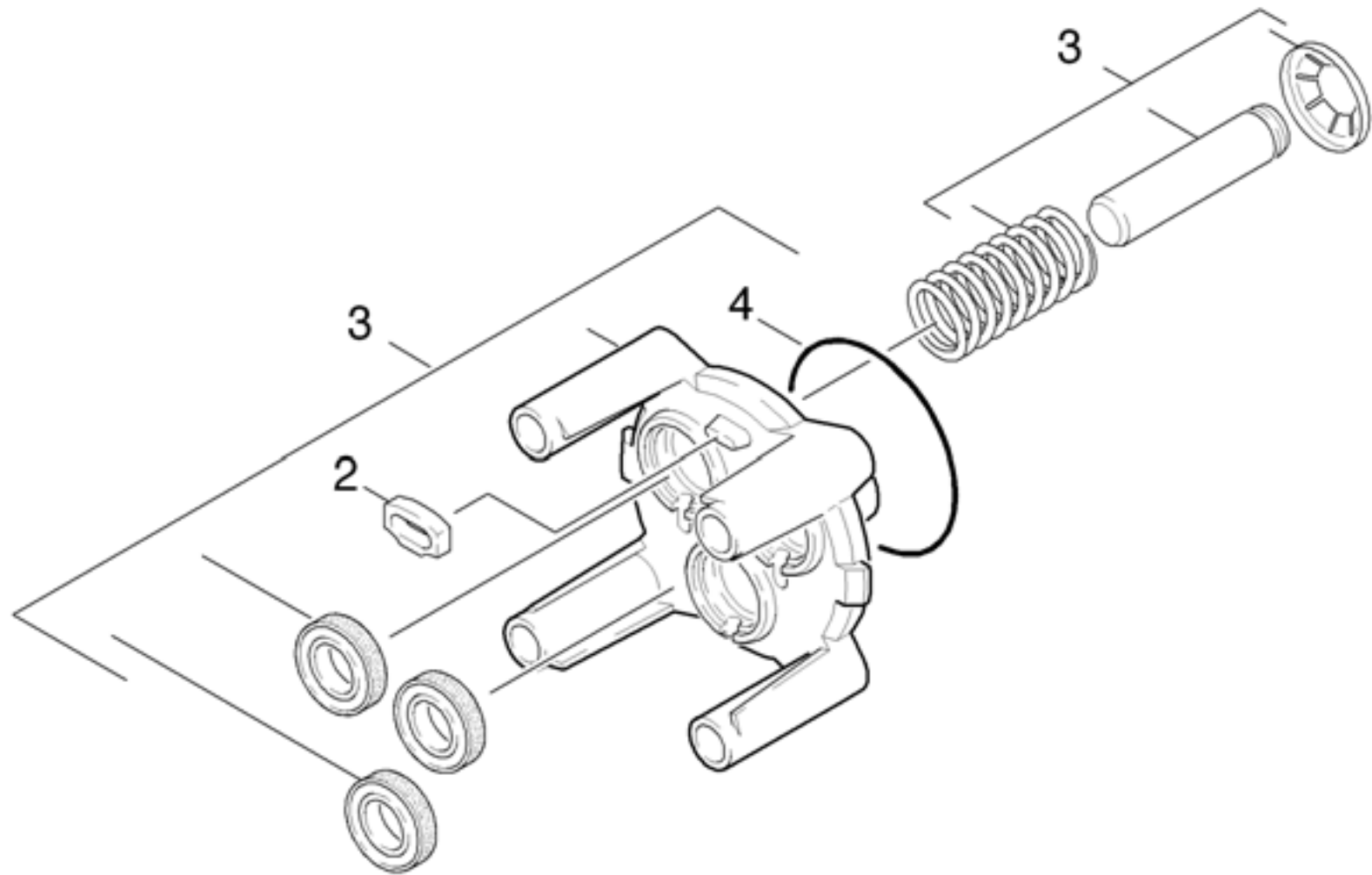
2.1 Housing



2.1 Housing

POS	DESCRIPTION ADDITIONAL INFORMATIONS	PART NO	QTY.	FROM SER.NR.	UP TO SER. NR.
1	Housing complete replacement K2.21 *	97760480	1		
2	Form seal	90814220	1		
3	H.P. head complete Spare Part	97601970	1		
4	Suction connection replacement +SV K2.21	97760500	1		
5	Metal fork	90391480	2		
6	Cylinder head screw M8x65 -8.8-A2E ISO4	73061510	4		
7	Filter cleaning agents W107/207	90119110	1		
8	Detergent fitting assembly (CEN)	97500580	1		
9	Outlet fitting upright	90367030	1		

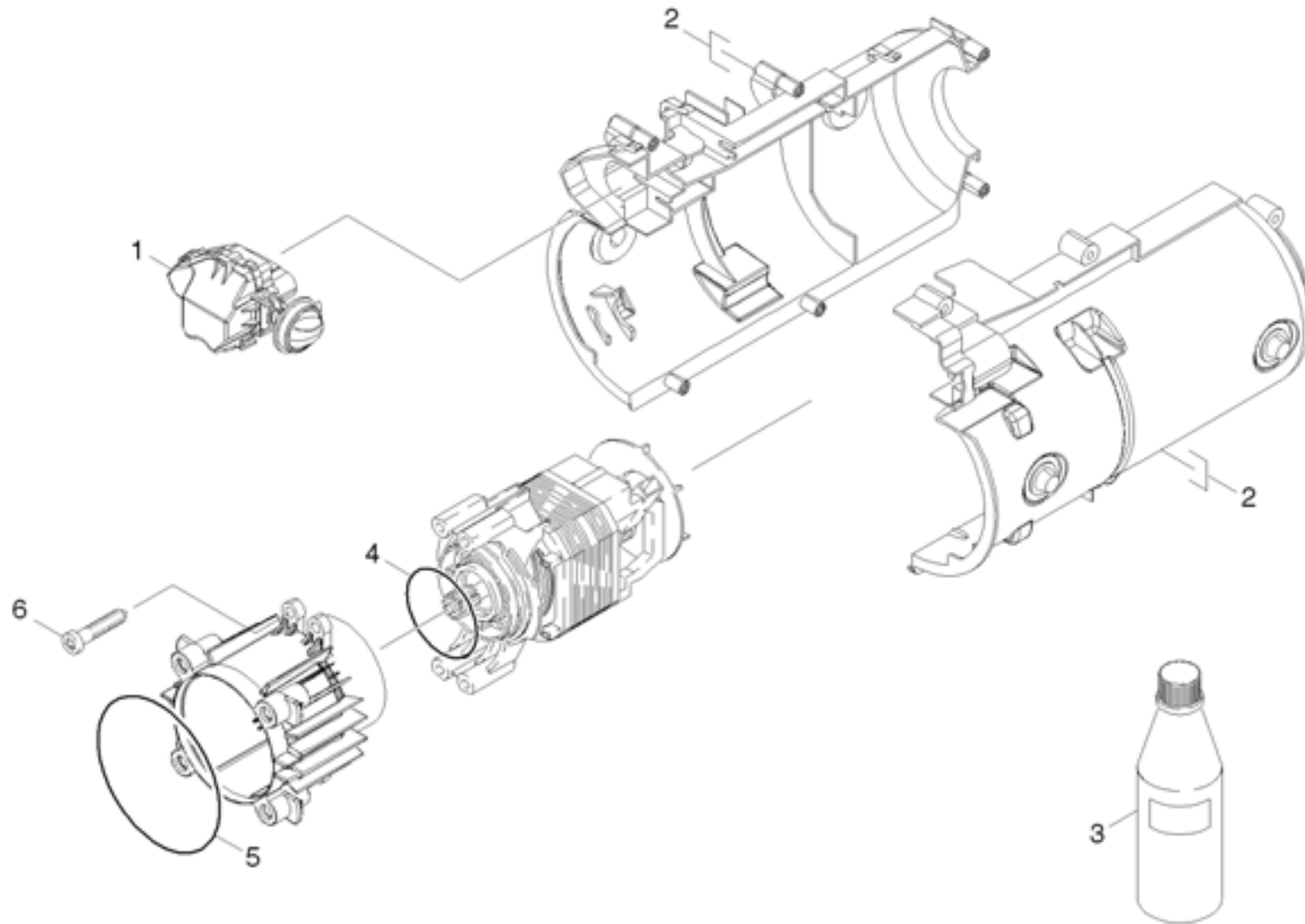
2.2 Thrust guidance



2.2 Thrust guidance

POS	DESCRIPTION ADDITIONAL INFORMATIONS	PART NO	QTY.	FROM SER.NR.	UP TO SER. NR.
2	Spacer - Seal	90480710	1		
3	Piston guidance replacement complete (CE	97500780	1		
4	O-Ring seal 60x2,5 -NBR 80	63633390	1		

3.0 Motor



3.0 Motor

POS	DESCRIPTION ADDITIONAL INFORMATIONS	PART NO	QTY.	FROM SER.NR.	UP TO SER. NR.
1	Electric box complete replacement K2.26*	97501780	1		
2	Housing motor replacement *(CEN)	97500790	1		
3	Engine oil 1L	62881120	1		
4	O-Ring 50 x 2,2 NBR 80	63633400	1		
5	O-Ring seal 60x2,5 -NBR 80	63633390	1		
6	Screw 5x26,4	63032600	4		

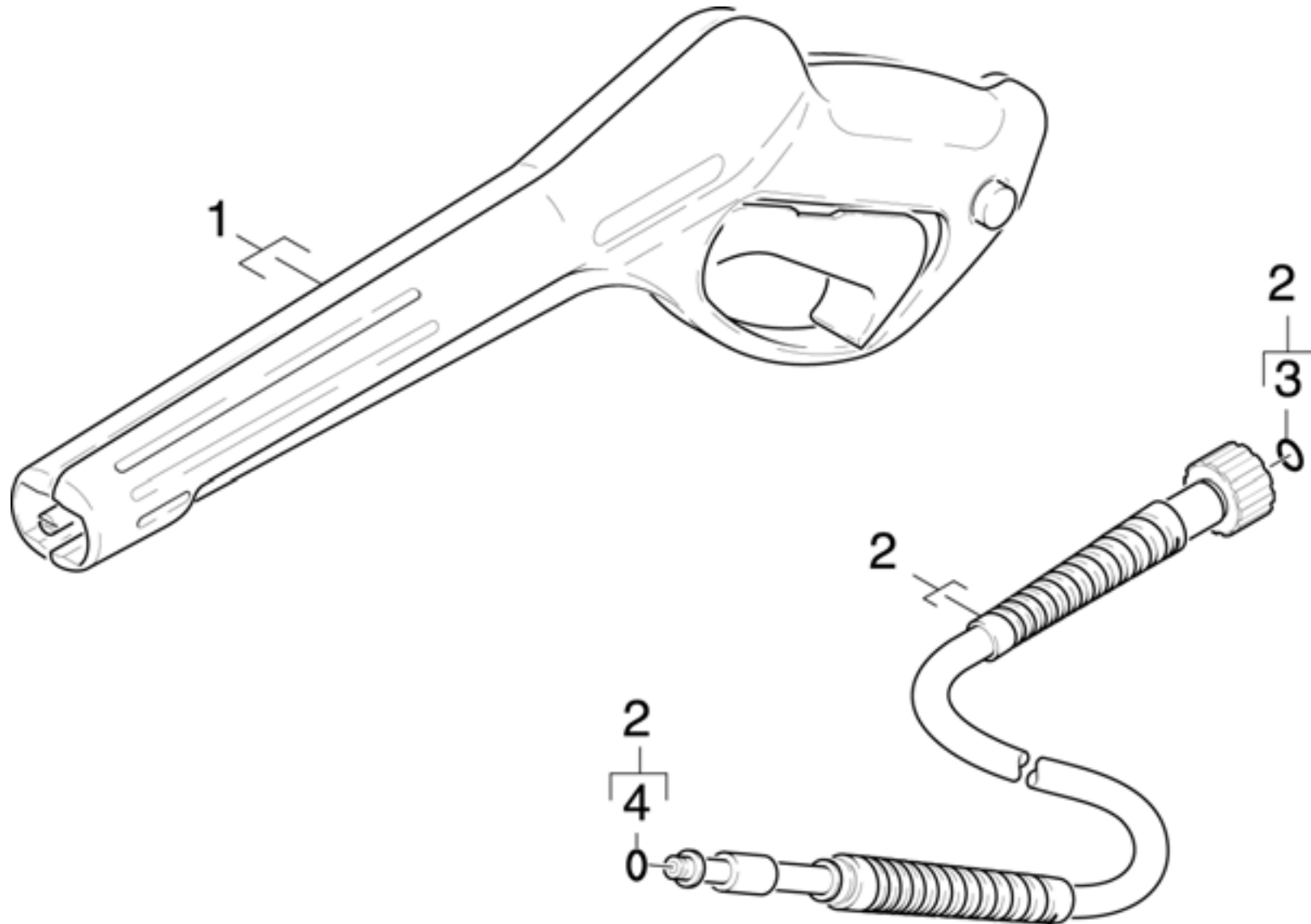
4.0 Accessories

4.1 Hand trigger gun

4.2 Jet pipe



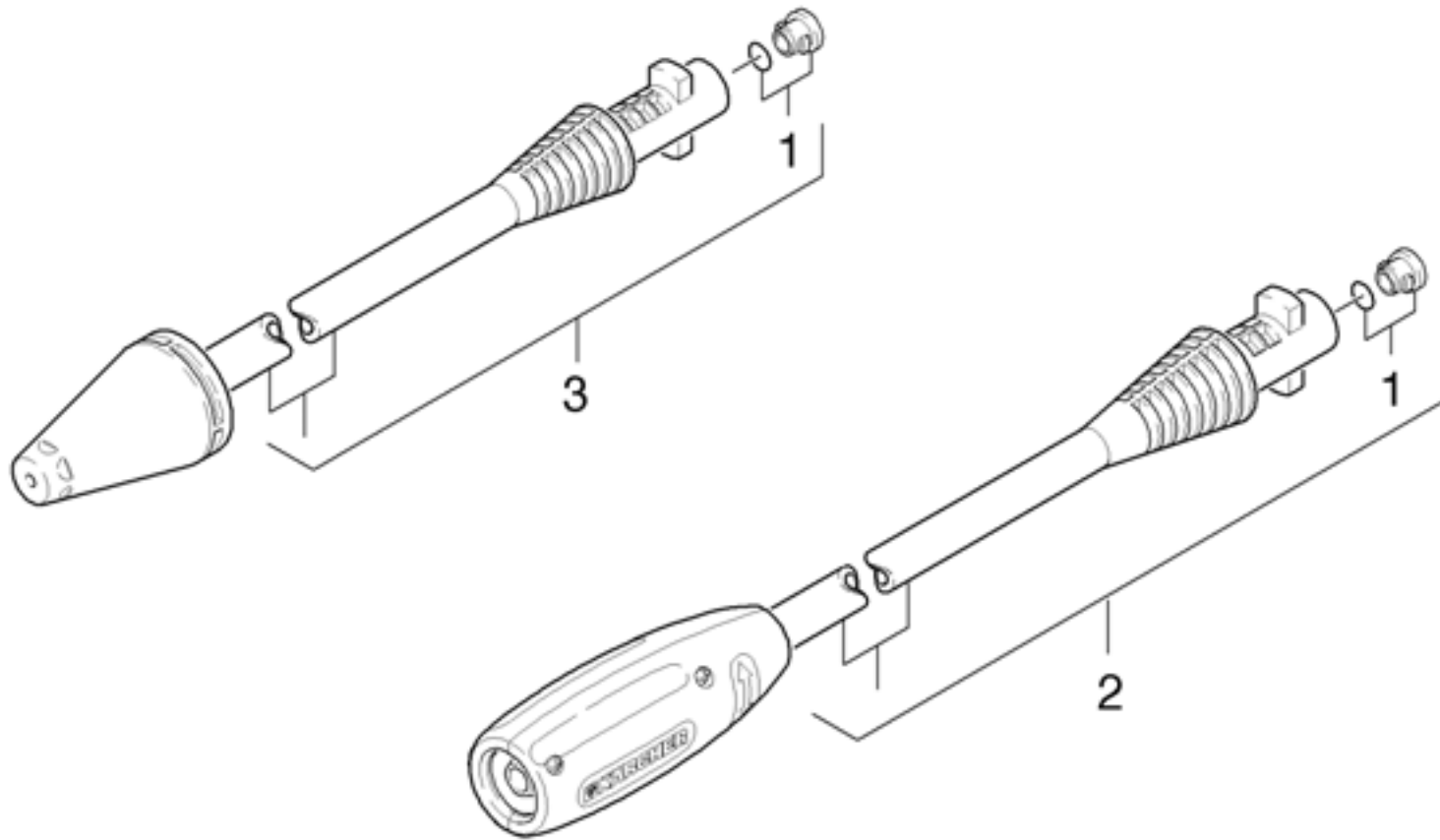
4.1 Hand trigger gun



4.1 Hand trigger gun

POS	DESCRIPTION ADDITIONAL INFORMATIONS	PART NO	QTY.	FROM SER.NR.	UP TO SER. NR.
1	PISTOL	47753310	1		
2	High pressure hose 6/11MPA, neutr.,40G,M	63915710	1		
3	O RING SET HD 555	28801540	1		
4	O-Ring seal 6,75x1,78 NBR 70	63624980	1		

4.2 Jet pipe



4.2 Jet pipe

POS	DESCRIPTION ADDITIONAL INFORMATIONS	PART NO	QTY.	FROM SER.NR.	UP TO SER. NR.
1	O-Ring seal set	26407290	1		
2	VPS K2 026	47605200	1		
3	ROTARY NOZZLE	47639910	1		